

your home *made beautiful*
whatever the *style, period or location*



MASTERslide Patio Doors



Watch the
MASTERSlide Patio Doors
Video



Enjoy the Practicality of Sliding *Patio Doors*

The MASTERslide Patio Door has been specifically designed for practicality and performance.

The sliding design enables you to maximise your view of the outside and benefit from more light within your home.

MASTERslide Patio Doors are high-performing, secure and visually stunning PVCu sliding patio doors, that are designed for hassle-free operation and maintenance.

MASTERslide Patio Doors are practical and versatile with a stunning classic appearance, which is why sliding doors have been a popular choice for decades.

Consistent, straightforward and smooth operation ensure that the sliding doors create a stylish, value-adding feature to your home.

MASTERslide
P A T I O D O O R

“Consistent, straightforward and
smooth sliding *patio doors*”

Transforming the Look of *Your Home*

MASTERSlide Patio Doors

Open up your home to the outside with a sliding wall of glass. Transform your living space with no barriers between the outside and your home.

Sliding patio door openings can be up to four door panes wide. The simplistic roller assembly means doors can be configured to meet customers individual preferences, from a 2 pane configuration to a more complex 4 pane combination.

The patio door combinations are all encased within a slimline package with slim sight-lines to rival any patio door on the market

An attractive, unobtrusive D-handle fits flat to the door frame, enabling smooth operation of the sliding doors.

MASTERSlide
PATIO DOOR

*"Opening up your home
to the outside"*





Watch the
MASTERSlide Patio Doors
Video



Inspiration
for *Your Home*



MASTERslide
PATIO DOOR

*"Protecting your family and home
for many years to come"*



Keeping Your Family & Home *Secure & Warm*

With MASTERslide Patio Doors you can be sure of quite a lot of things, but more importantly, they will keep unwanted intruders out and the warmth in!

The enhanced security door locking system and interlock options are compliant with PAS 24 and Document Q, which ticks the right boxes when it comes to enhanced security.

Modern PVCu also benefits from excellent thermal performance levels. MASTERslide Patio Doors provide you with energy efficient glass options to keep the cold out and warmth in.

Ensuring that your home is secure, warm and elegant, are qualities that put MASTERslide Patio Doors at the forefront of technological performance.

MASTERslide
PATIO DOOR

“An enhanced security locking system to keep unwanted *intruders out!*”

STANDARD *Collection*

COLOURFOIL
COLLECTION

ROSEWOOD
ONE OR BOTH SIDES

GOLDEN OAK
ONE OR BOTH SIDES

ANTHRACITE GREY
ONE OR BOTH SIDES

BLACK / BROWN
ONE OR BOTH SIDES



Watch the
Colourfoil Collection
Video

PREMIUM *Collection*

IRISH OAK
ONE OR BOTH SIDES

MOUNTAIN OAK
ONE OR BOTH SIDES

ULTI-MATT BLACK
ONE OR BOTH SIDES

ANTHRACITE GREY SMOOTH
ONE OR BOTH SIDES

SLATE GREY
ONE OR BOTH SIDES

HAZY GREY
ONE OR BOTH SIDES

AGATE GREY
ONE OR BOTH SIDES

PEBBLE GREY
ONE OR BOTH SIDES

CHARTWELL GREEN
ONE OR BOTH SIDES

DARK GREEN
ONE OR BOTH SIDES

CREAM
ONE OR BOTH SIDES

WHITE
ONE OR BOTH SIDES

STEEL BLUE
ONE OR BOTH SIDES

DARK RED
ONE OR BOTH SIDES

...more colours are available
from the RENOLIT colour swatch



MASTERslide Patio Door Colour Options

Colourfoil Collection

Demand for coloured windows and doors in the UK is rising strongly. Homeowners are now loving colour! It's a way of personalising your home, making it look modern or giving it that traditional, authentic look.

With the Colourfoil Collection, we have a range of the most modern, traditional and on-trend colours shades and finishes.

The addition of the modern and contemporary shades of Ulti-Matt Black, Agate and Slate Grey, allow you to add on-trend colours to your patio doors and compliment your homes style.

Traditional wood grain effects and colour shades enable you to create that period or heritage look to your home, meaning that there is a colour shade or grain effect to suit your home whatever the style, period or location.

Or maybe you prefer the standard classic White or the more traditional Rosewood and Golden Oak effect, whilst Chartwell Green and Anthracite Grey remain as popular as ever.

Whatever your colour choice you can be sure that your new patio doors will be the most aesthetically pleasing you can buy.



"Modern colour shades and traditional grained effects to compliment your home, whatever the *style, period or location*"

Adding that *Finishing Touch*

Patio Door Options

There are a number of different combinations for you to choose from to ensure your patio door meets



Our patio door furniture has been chosen to compliment your patio doors, provide you with easy faultless operation with a range of colours and styles to suit the decor within your home.

Low Threshold Option

Looking for easy access and egress, then an aluminium low threshold option will provide you with a Document M compliant solution.

An aluminium low threshold is perfect for wheelchair and pushchair access and egress to rooms or the outside.



MASTERslide PATIO DOOR Patio Door Configurations

Patio Doors

MASTERslide Patio Doors have been rigorously tested with hardware designed to last the test of time and locking options that provide security of the highest level, PAS 24 / Document Q compliance.

2 Pane

Minimum Width = 1500mm Maximum Width = 2800mm



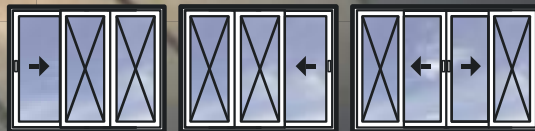
3 Pane

Minimum Width = 2300mm Maximum Width = 4200mm



4 Pane

Minimum Width = 3000mm Maximum Width = 5500mm



Minimum and Maximum Frame Heights for All Patios

Frame Minimum Height = 1500mm

Frame Maximum Height = 2400mm

Keeping Your Family Home *Secure and Warm*

Security

One of the main reasons why we upgrade our windows and doors is to ensure that we provide protection to our family and home.

When choosing your new windows and doors, you want to ensure that you are making the right decision to provide the required level of protection for your family and home.

With MASTERSlide Patio Doors you can be sure of two things, they will keep unwanted intruders out and the warmth in!

The high security window and door locking system options are compliant with PAS 24, Document Q and Secured by Design, which ticks all the boxes when it comes to enhanced security.

Energy Efficiency

Modern PVCu also benefits from excellent thermal performance levels. The MASTERSlide Patio Door System is one of the leading performers with its multi-chambered system providing you with A+ rated options to keep the cold out and warmth in.

These qualities put the MASTERSlide Patio Door System at the forefront of technological performance, ensuring that your home is secure and warm for many years to come.

What are window (and door) energy ratings?

A window or doors rating is determined by a formula which takes into account the total solar heat transmittance, the amount of the sun's heat which can pass through the glass (usually referred to as g-value); the U-value of the whole unit (frame and glass combined), how well the window or door keeps the heat in your home; and the air infiltration through the window or door seals.

To make the Rating standard across all products, a standard window / door size and configuration is used. The resulting value is then placed into a band on the scale G-A, with A-rated windows and doors being the most energy-efficient.

Did You Know?

UK Burglary Statistics

In 72% of cases, the burglar will enter through a door, of which...

27% by forcing the lock or cylinder
15% through an unlocked door
10% by breaking the door or door panel
5% enter the property with a key

In 26% of cases the burglar will enter through a window, of which...

11% force the window lock or latch
9% cut through or break the glass
6% will enter through an already open window

This means that 48% of burglaries are owing to inferior windows and doors!

Sustainability

PVCu windows and doors have a long and low maintenance lifespan, which can see them last up to 30-40 years.

What is more impressive, is the high quality reuse of PVCu, where it can be recycled up to 10 times, meaning a single window or door has a new life expectancy of 350 years!



PAS 24 *Patio Doors*



MASTERSlide Patio Doors use high security locking systems, tested to PAS 24 & Secured By Design standards...

An inferior window or door locking system can be manipulated, snapped, picked, drilled or bumped to gain access to your property in less than 30 seconds! This is why our MASTERSlide Patio Door System uses tried and tested security hardware.

So what are my Enhanced Security options?

An Enhanced Security option is compliant with PAS 24 and Secured by Design. This means that the complete and fully manufactured window or door has been rigorously and independently tested by a UKAS accredited test house.

The PAS 24 standard is an extra security measure to ensure windows and doors are up to the security standards, in case you do so happen to have a break in. The testing is based on a burglar trying to manipulate a cylinder, cut-through a slab or panel or force the lock and/or hinge side of a door. On a window forcing entry through the locking points using a selection of tools including 'crow bars', screwdrivers, chisels, drills and blades.

Secured by Design (SBD) is the official police security initiative that works to improve the security of buildings and their immediate surroundings to provide safe places to live, work, shop and visit.

SBD's product based accreditation scheme – the Police Preferred Specification - provides a recognised standard for all security products that can deter and reduce crime.

Energy Efficient *Windows & Doors*

The PVCu profiles used to make the frames for your home offer excellent thermal insulation, as the gaskets and weathertight seals shut out draughts while the glazing reflects the heat back in to your room.

The multiple chambers within the profiles and the option of using Recycled Thermal Reinforcement (RTR) Bar also greatly improves the heat loss from your home. Aspects that will greatly reduce energy bills.

The benefits of energy-efficient windows and doors

Smaller energy bills: replacing all single-glazed windows and doors with A-rated double glazing could save you around £160 per year on your energy bills.

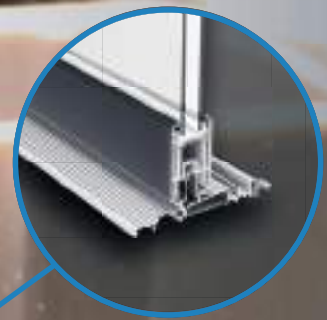
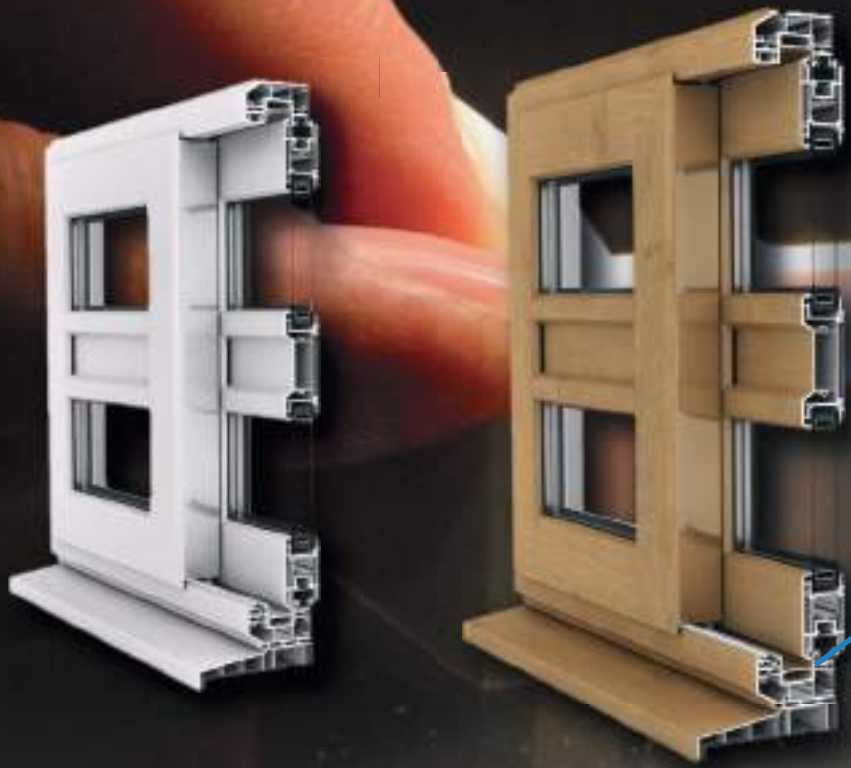
A smaller carbon footprint: by using less fuel, you'll generate less of the carbon dioxide that leads to global warming - typically, 680kg a year.

A more comfortable home: energy-efficient glazing reduces heat loss through windows and doors means fewer draughts and cold spots.

Peace and quiet: as well as keeping the heat in, energy efficient windows and doors insulate your home against outside noise.

Reduced condensation: energy-efficient glazing reduces condensation build-up on the inside of windows and doors.

The costs and savings for energy-efficient glazing will be different for each home and each window and door, depending on the size, material and installer. Double glazing should last for 20 years or more.



Full PVCu Frame or
Aluminium LowThreshold

Advanced Technology in Terms of Appearance, Durability and *Performance*



Two-Part Interlock for
Enhanced Security

- 1 **Full PVCu Frame or Aluminium Low Threshold** - Designed to integrate with cills, thresholds and ancillary items
- 2 **Multi-Point Locking System** - 6 point security locking system or 12 point enhanced security PAS 24 option
- 3 **Energy Efficient Profile System** - One of the more thermally efficient multi-chambered profile systems around
- 4 **Fully Reinforced** - RTR Bar or Steel reinforcement for maximum strength and security
- 5 **28mm Single Leg Knock-in Bead** - Internally glazed, sculptured or chamfered, for extra security. The gaskets and weatherseals are co-extruded within the frames to provide a weathertight seal - no heat loss or leaks!



Watch the
Selecta Systems video



Watch the
MASTERSlide Patio Doors
Video



Inspiration
for *Your Home*

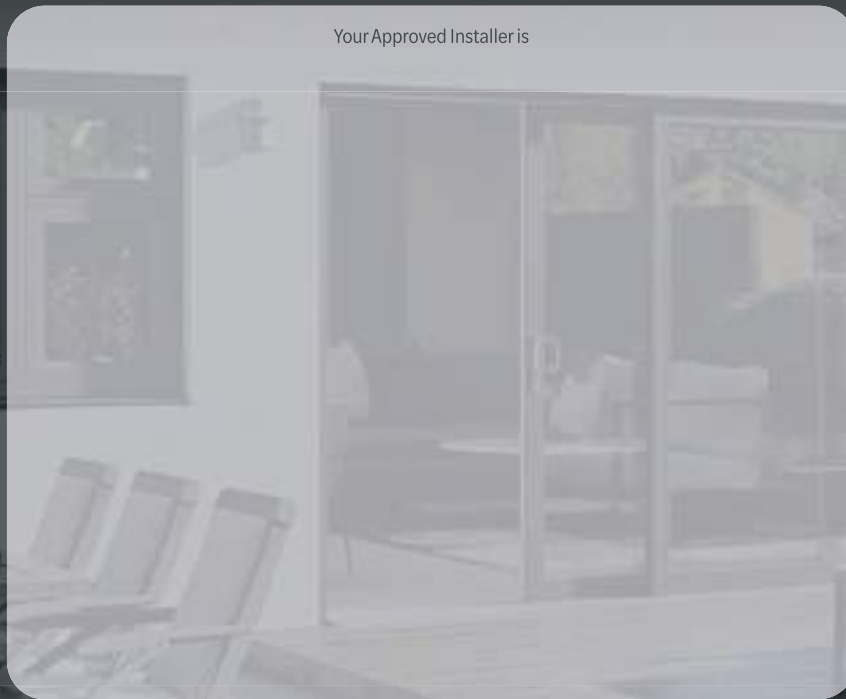
MASTERslide
PATIO DOOR

"A sliding door that can frame your
view of *the outside*"



your home *made beautiful*
whatever the *style, period* or *location*

Your Approved Installer is



MASTERslide Patio Doors



Selecta Systems Ltd operate a continuous design and development programme and reserve the right to modify any product without any prior notification. Photographs used within this brochure are for representation purposes only. Selecta Systems Ltd are not responsible for any errors or omissions contained within this brochure.